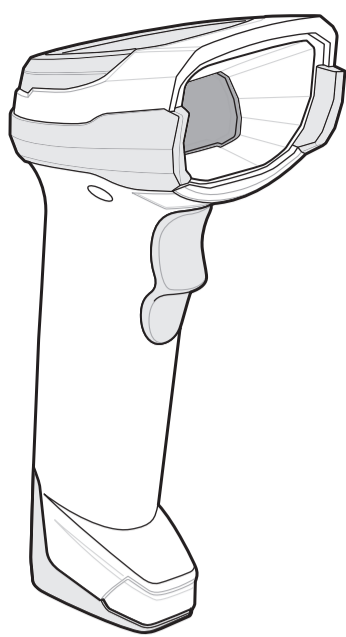
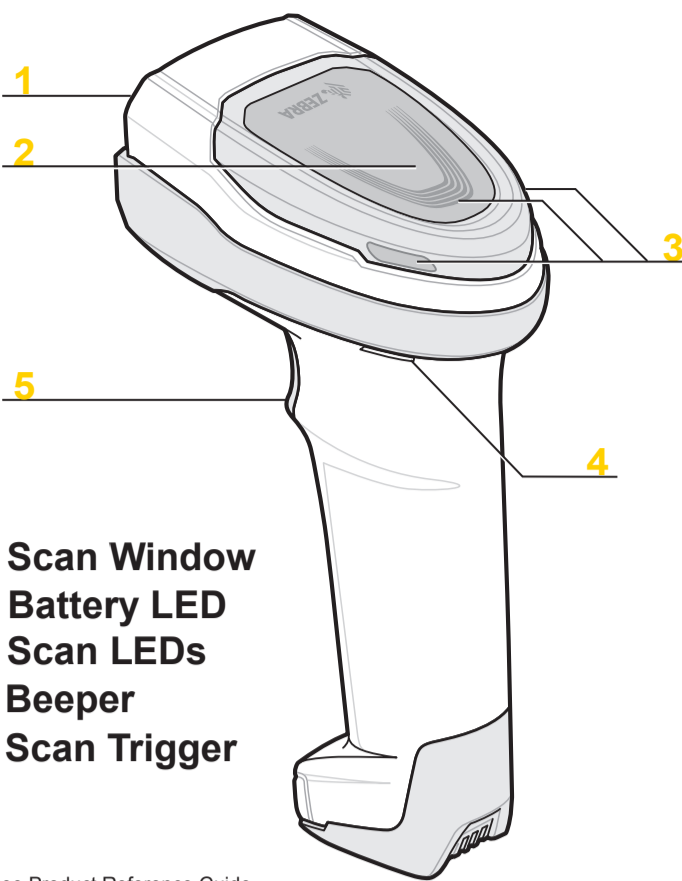


<http://www.zebra.com/DS8178>

Note: Standard range digital scanner pictured.

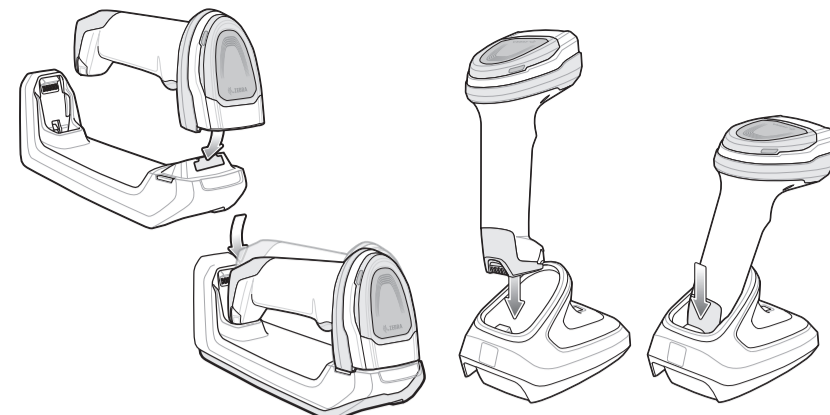


Digital Scanner
Quick Start Guide



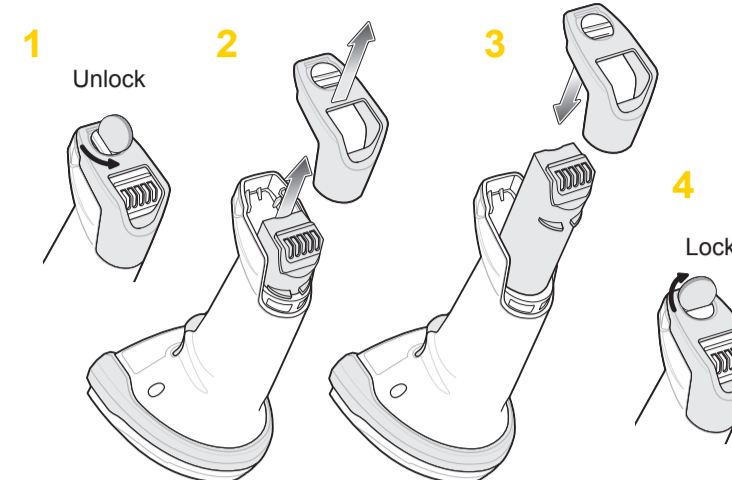
- 1 Scan Window
- 2 Battery LED
- 3 Scan LEDs
- 4 Beeper
- 5 Scan Trigger

See Product Reference Guide for detailed information



BATTERY INSERTION/REMOVAL

Note: It is recommended to fully charge the battery before use.

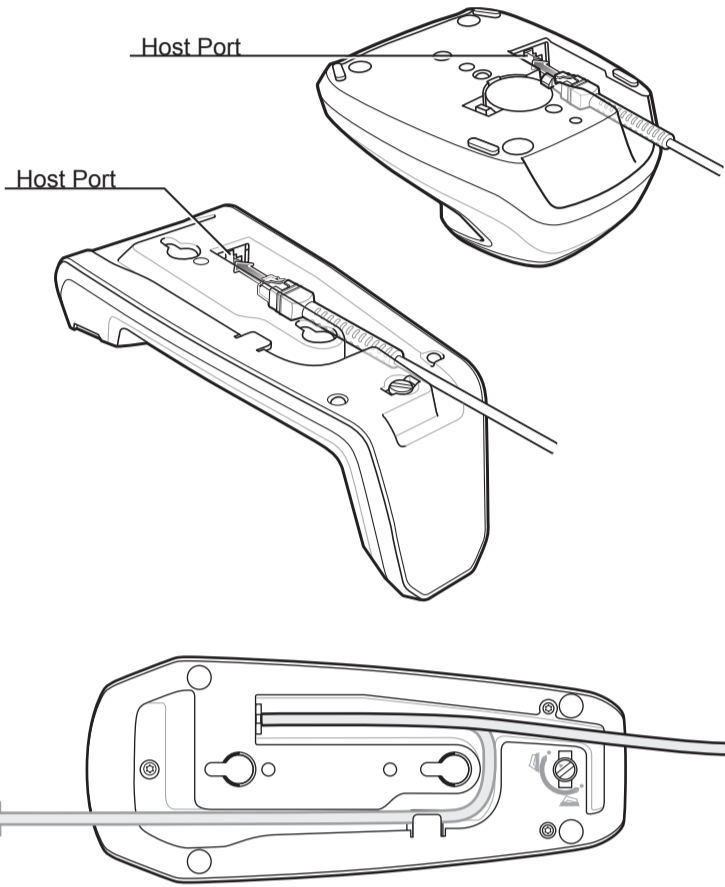


POST IN WORK AREA

CRADLE CABLE CONNECTION

SET DEFAULTS / ENTER KEY BAR CODES

TAB KEY BAR CODE



RETURN TO FACTORY DEFAULTS

ADD AN ENTER KEY (Carriage Return/Line Feed)

To add an Enter key after scanned data, scan the bar code below.



ADD AN ENTER KEY (CARRIAGE RETURN/LINE FEED)

ADD A TAB KEY

To add a Tab key after scanned data, scan the bar code below.



ADD A TAB KEY

NIGHT MODE WITH VIBRATE

Note: Healthcare configurations only.



ENABLE NIGHT MODE TRIGGER



DISABLE NIGHT MODE TRIGGER



TOGGLE NIGHT MODE

USB CAPS LOCK OVERRIDE BAR CODE



USB - OVERRIDE CAPS LOCK KEY (ENABLE)

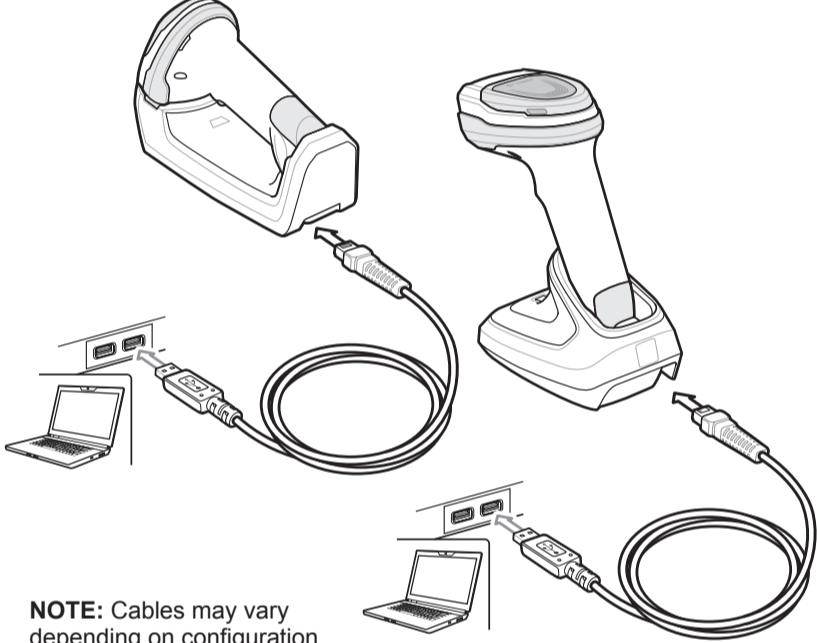


*USB - DO NOT OVERRIDE CAPS LOCK KEY (DISABLE)

STEP 1 - CONNECT HOST INTERFACE

STEP 2 - SET UP INTERFACE (Scan Host Bar Codes)

USB



NOTE: Cables may vary depending on configuration

USB

Scan **ONE** of the bar codes below

The interface cable automatically detects the host interface type and uses the default setting. If the default (*) does not meet your requirements, scan another host bar code below.



*USB KEYBOARD (HID)



IBM HAND-HELD USB

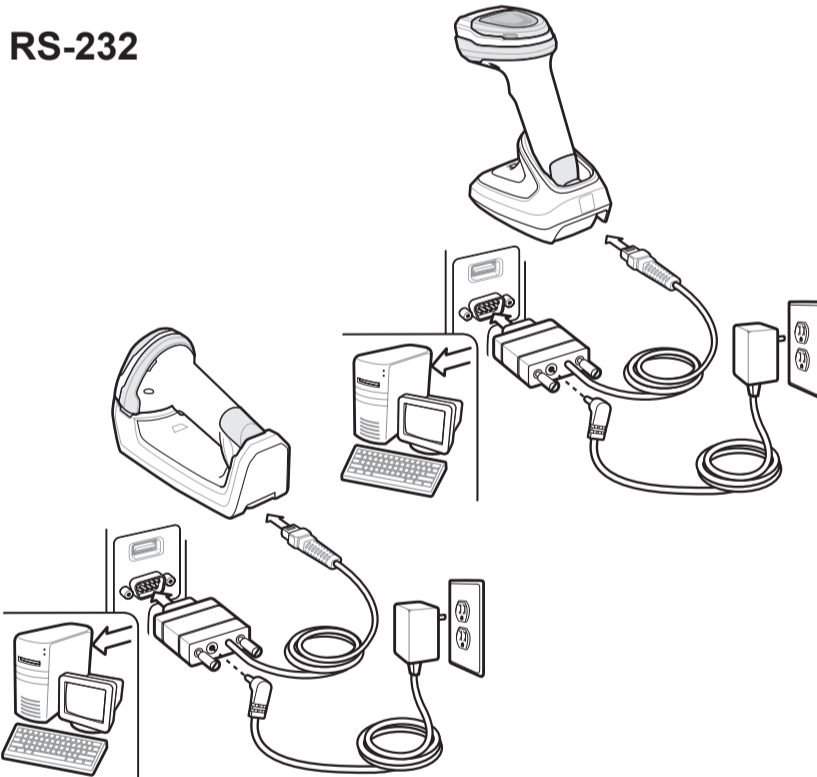


IBM OPOS (IBM HAND-HELD USB with FULL SCAN DISABLE)



SNAPI WITH IMAGING

RS-232



RS-232

Scan **ONE** of the bar codes below

The interface cable automatically detects the host interface type and uses the default setting. If the default (*) does not meet your requirements, scan another host bar code below.



*STANDARD RS-232



NIXDORF RS-232 MODE B



ICL RS-232



FUJITSU RS-232

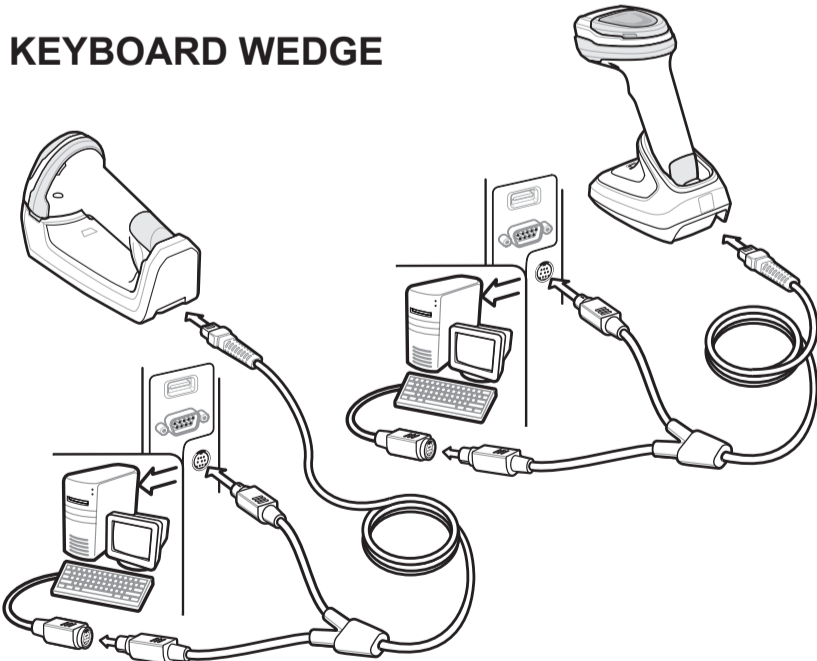


NIXDORF RS-232 MODE A



OPOS/JPOS

KEYBOARD WEDGE



Keyboard Wedge

Scan a bar code below

The Auto-Host Detect Cable feature automatically detects the host interface type and uses the default setting. If the default (*) does not meet your requirements, scan the IBM PC/AT and IBM PC COMPATIBLE bar code below.

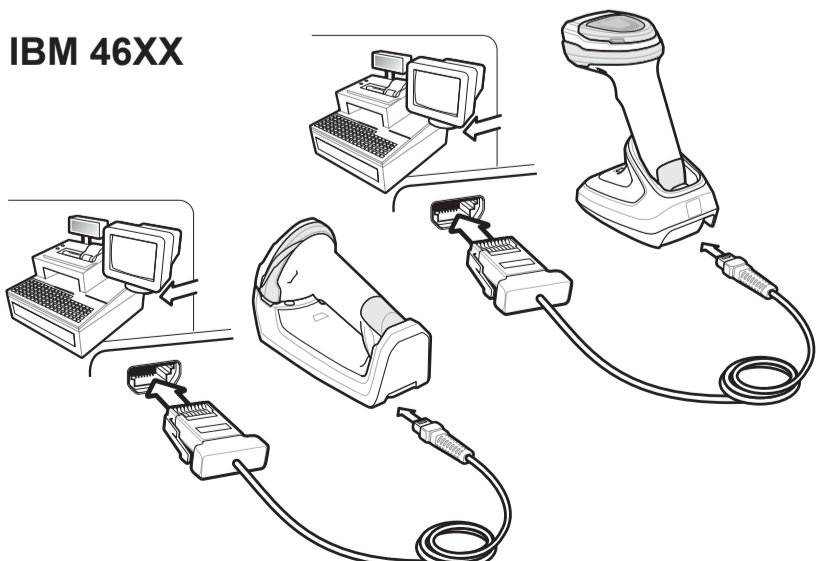


*IBM AT NOTEBOOK



IBM PC/AT and IBM PC COMPATIBLE

IBM 46XX



IBM 46XX

Scan **ONE** of the bar codes below

The Auto-Host Detect Cable feature automatically detects the host interface type, but there is no default setting. Scan one of the bar codes below to select the appropriate port.



NON-IBM SCANNER EMULATION (PORT 5B)



TABLE-TOP SCANNER EMULATION (PORT 17)



HAND-HELD SCANNER EMULATION (PORT 9B)

123Scan

ABOUT 123Scan

123Scan is an easy-to-use, PC-based software tool that enables rapid and easy customized setup of a scanner via a bar code or USB cable. For more information, visit: <http://www.zebra.com/123Scan>.

UTILITY FUNCTIONALITY

- Device configuration
- Electronic programming (USB cable)
- Programming bar code(s)
- Data view – scan log (display scanned bar code data)
- Access asset tracking information
- Upgrade firmware and view release notes
- Remote management (SMS package generation)

